

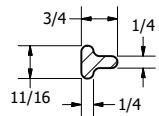
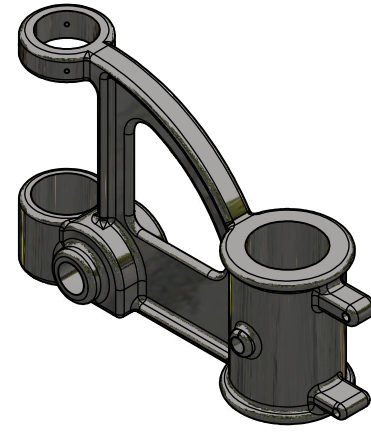
PARTS LIST			
ITEM	QTY	PART NUMBER	MATERIAL
1	1	DRILL PRESS BRACKET	STEEL



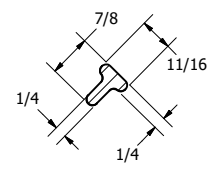
DIGITAL DESIGN
GRAPHICS
TECHNOLOGY

WWW.DDGT.NET

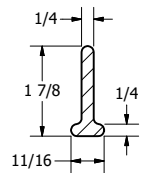
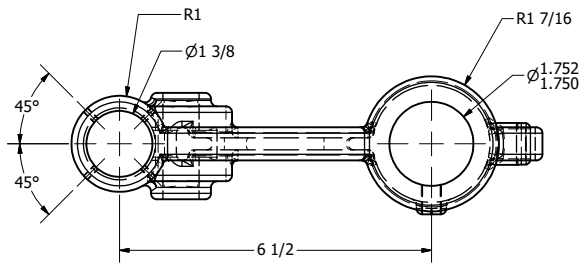
GENERAL NOTES:
ALL FILLETS AND
ROUNDS R1/8 UNLESS
OTHERWISE SPECIFIED



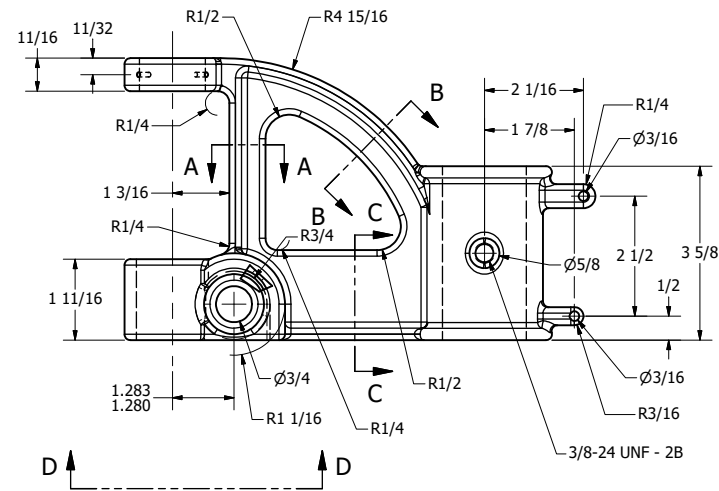
SECTION A-A
SCALE 1 / 2



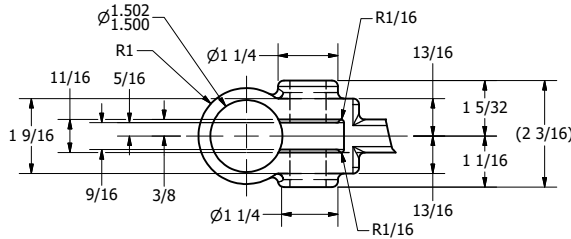
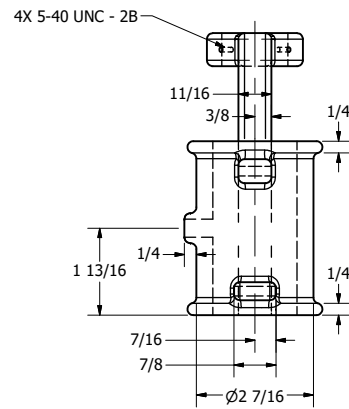
SECTION B-B
SCALE 1 / 2



SECTION C-C
SCALE 1 / 2

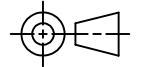


DRILL PRESS BRACKET
SCALE 1 / 2



VIEW D-D
SCALE 1 / 2

NICHOLAS RODRIGUEZ
 DRAFTING AND DESIGN
 (707) 256-1294
 RODRIGUEZNICHOLAS@GMAIL.COM
 WWW.DDGT.NET'S STUDENT FILES FOLDER/ROUTE



TOLERANCES UNLESS SPECIFIED:
DECIMAL INCHES:
X = ±.020
XX = ±.010
XXX = ±.005
FRACTIONAL ±1/64"
ANGLES ±1 DEGREE
SURFACES

COURSE: DDGT121

INVENTOR DRAWING NAME

DRILL PRESS BRACKET

FIG #: 14-35

DRAFTER: N. RODRIGUEZ

DATE: 4/18/2021

SCALE: AS NOTED

PAGE #: 1 OF 1

LEGEND:
 Ø DIAMETER
 R RADIUS
 ° DEGREES